

MANUAL DOUBLE-PIPE VALVE

Art.1456

1. DESCRIPTION

The manual double-pipe valve Art. 1456 is reversible, i.e. flow and return can be connected to the valve in either direction. It features an interchangeable FAR 24x19 connection for copper, plastic and multilayer pipe.



Example of installation of valve Art. 1456

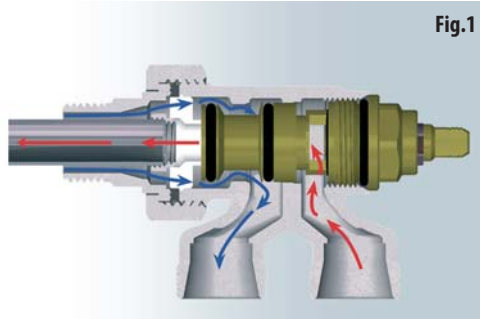
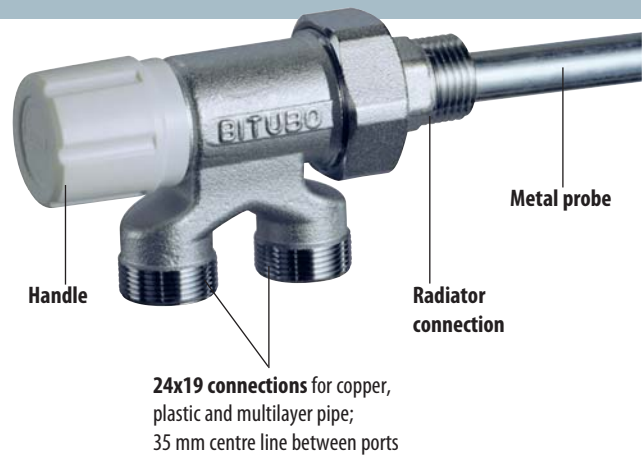


Fig.1

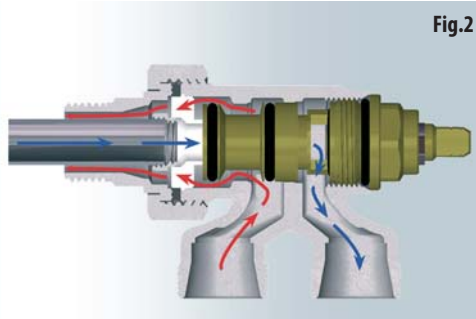
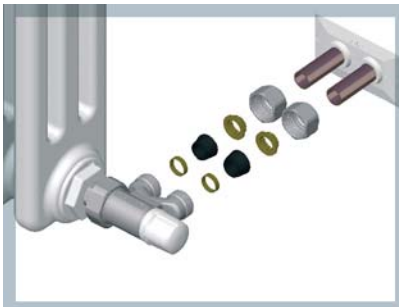


Fig.2

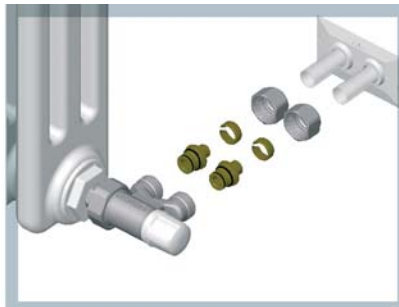
Illustration 1 shows the fluid entering the radiator through a channel located in the step bolt and then flowing inside the probe. Fluid returns outside the channel, coming back in the opposite direction. By exchanging flow and return, as per illustration 2, the fluid will circulate within the valve in a contrary direction.

2. FAR INTERCHANGEABLE CONNECTIONS

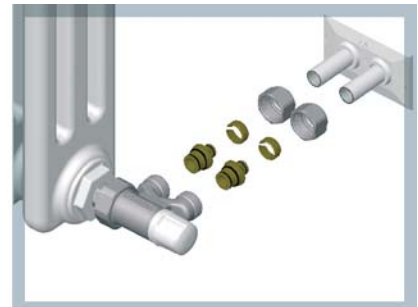
Manual double-pipe valves have an interchangeable connection for copper pipe up to 16 mm and for plastic and multilayer pipe up to 20 mm. A version is also available with a special connection for Ø 18 copper pipe.



Example of installation with sealing kit for copper pipe. (The illustration shows connection up to Ø 14 complete with a brass pipe guide washer - not needed for Ø 15 and Ø16 mm)



Example of installation of adapters for plastic pipe



Example of installation of adapters for multilayer pipe



Art. 6052

Kit for plastic pipes with 24x19 connection. Complete with:

- Adapter for plastic pipe
- Brass ring
- Chrome-plated nut with 24x19 thread



Art. 6055

Kit for multilayer pipes with 24x19 connection. Complete with:

- Adapter for plastic pipe
- Brass ring
- Chrome-plated nut with 24x19 thread



Art. 8427

Sealing compression kit in rubber for Ø10-12-14 copper pipe. Complete with:

- Brass pipe guide washer
- Rubber compression single-taper
- Brass ring
- Chrome-plated nut with 24x19 thread



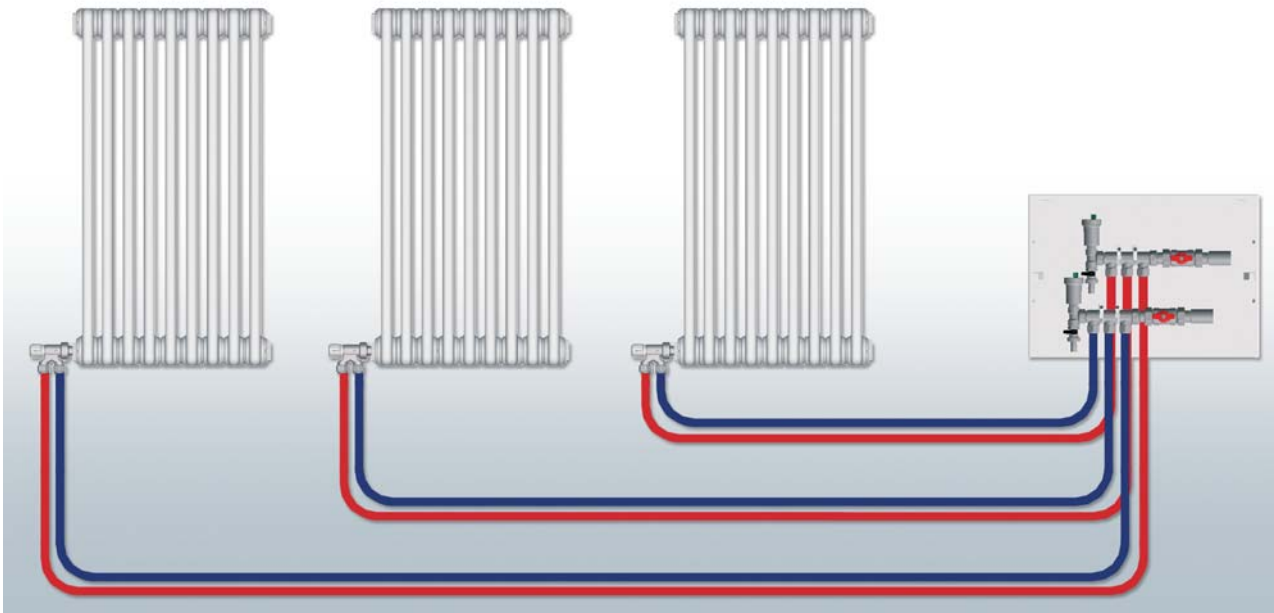
Art. 8429

Sealing compression kit in rubber for Ø15-16 copper pipe. Complete with:

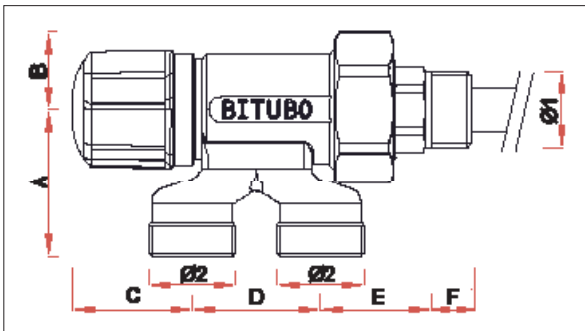
- Rubber compression single-taper
- Brass ring
- Chrome-plated nut with 24x19 thread

3. INSTALLATION

In a double-pipe circuit each radiator has a single, separate flow and return. The illustration shows a circuit with 3 radiators with FAR valves Art. 1456 and flow and return manifolds installed in a box.



4. DIMENSIONAL AND TECHNICAL FEATURES



CODE	A	B	C	D	E	F	Ø1	Ø2
1456 1212	41	21	33	35	30	11	G1/2	24x19

Art. Code	Probe	Size
1456 1212*	Ø 12	1/2"

*1/2" unions can also be assembled with Ø10mm probe

Nominal pressure:	10 bar
Max. working temperature:	95° C
Shutter:	EPDM
Handle:	ABS
Small parts:	CW614N brass
Valve body:	CB753S brass
Nut and union:	CW617N brass
Gaskets, O-rings:	EPDM
Probe:	Zinc-coated steel

5. FLUID DYNAMIC FEATURES

